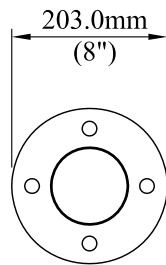


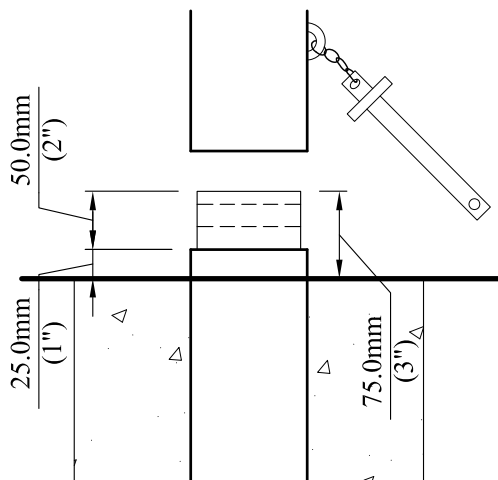
IN GROUND REMOVABLE (BSPRG)

SURFACE MOUNT REMOVABLE (BSPRS)



14.3mm (1/2") HOLES TO ACCOMMODATE  
9mm (3/8") ANCHORS.  
(ANCHORS NOT INCLUDED)

BASE PLATE DETAIL



CONNECTION DETAIL

## SPEC SERIES REMOVABLE BOLLARD

### SPECIFICATIONS

#### STEEL:

- PIPE 100.0mm (4") O.D.

#### BASE PLATE:

- 9mm (3/8") PLATE

#### REFLECTIVE TAPE:

- (2) 50.8mm (2") WIDE RED  
REFLECTIVE TAPE STRIPES

#### STEEL FINISH:

- 3 STEP POWDER COAT  
PROCESS:

1. SURFACE PREPARATION-  
SANDBLAST METAL
2. PRIME COAT- APPLICATION OF  
ZINC RICH PRIMER
3. TOP COAT- FINAL COATING IS  
BAKED ON FOR THE BEST IN  
LONG LASTING DURABILITY

#### AVAILABLE SIZES:

-100.0mm (4") O.D.

-140.0mm (5 1/2") O.D.

- STANDARD COLOR WHITE  
WITH RED REFLECTIVE  
TAPE. OTHER COLORS  
AVAILABLE.



4111-17th Street SE Calgary, AB T2G 3W5

Ph# 569-8180 Fax# 272-4544

e-mail: reception.cpl@telus.net

[www.custompark.com](http://www.custompark.com)