

## SOCCER GOAL POSTS - MINOR PORTABLE (SMRR)

### SPECIFICATIONS

#### STEEL TYPE:

- MAIN UPRIGHTS & CROSS BAR: 88.9mm (3 1/2") O.D. PIPE
- GROUND FRAME: 101.6 x 50.8mm (4"x2") RECTANGULAR TUBE
- SIDE STAND: 48mm (1 7/8") O.D. PIPE

#### STEEL FINISH:

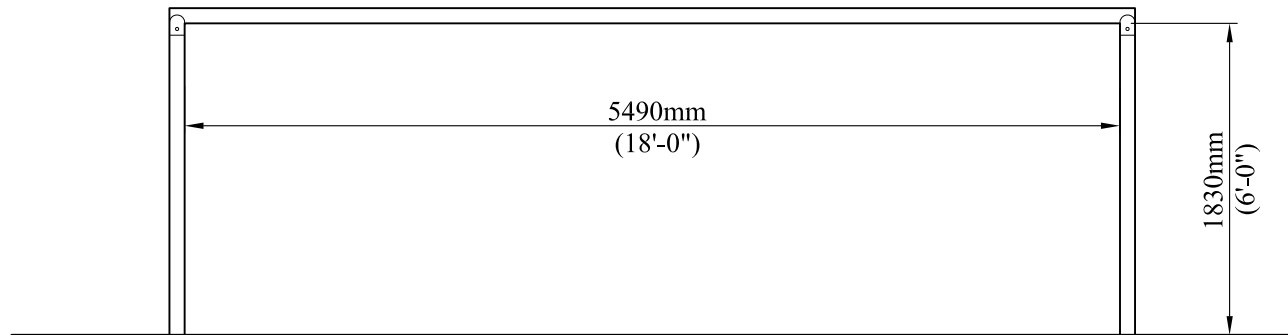
- 3 STEP POWDER COAT PROCESS:

1. SURFACE PREPARATION-SANDBLAST METAL
2. PRIME COAT- APPLICATION OF ZINC RICH PRIMER
3. TOP COAT- FINAL COATING IS BAKED ON FOR THE BEST IN LONG LASTING DURABILITY

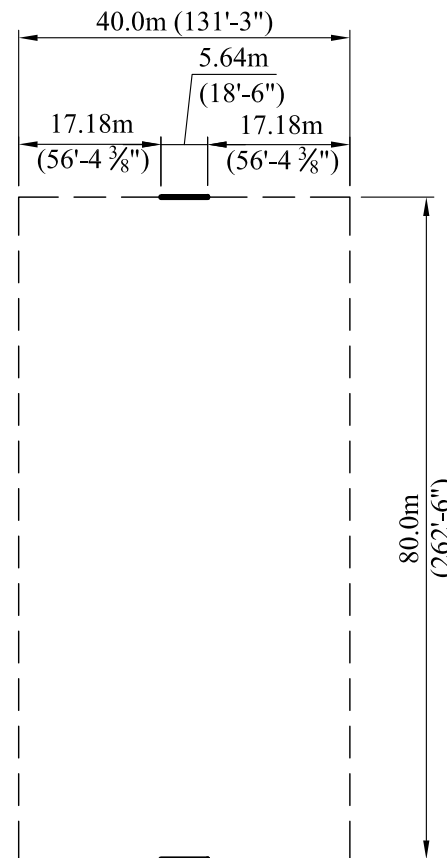
#### NOTE:

- OTHER SIZES AVAILABLE UPON REQUEST

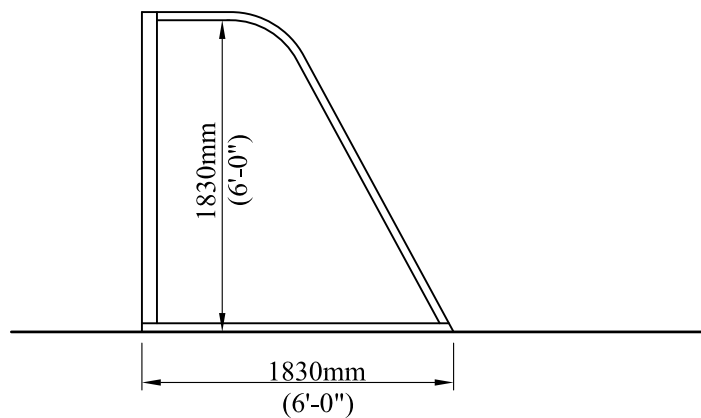
STEEL FINISH AVAILABLE IN A WIDE VARIETY OF COLORS. REFER TO COLOR CHART FOR MORE INFORMATION.



FRONT VIEW



PLAN VIEW  
**TYPICAL FIELD LAYOUT**



SIDE VIEW



4111-17th Street SE Calgary, AB T2G 3W5  
 Ph# 569-8180 Fax# 272-4544  
 e-mail: reception.cpl@telus.net  
[www.custompark.com](http://www.custompark.com)