

**PEDESTRIAN BRIDGE
GLULAM BEAM
LEVEL / ARCHED**

SPECIFICATIONS

BEAMS:

- LAMINATED FIR

BRIDGE DECK:

- 101 x 152mm (4"x 6") SPF
(SPRUCE, PINE, FIR)

RAILING OPTIONS:

- STAINED CEDAR
- ACQ TREATED SPF (SPRUCE,
PINE, FIR)
- STEEL PICKET RAIL

WOOD FINISH:

- SIKKENS STAIN (APPLIED TO
CEDAR OPTION ONLY).

STEEL FINISH:

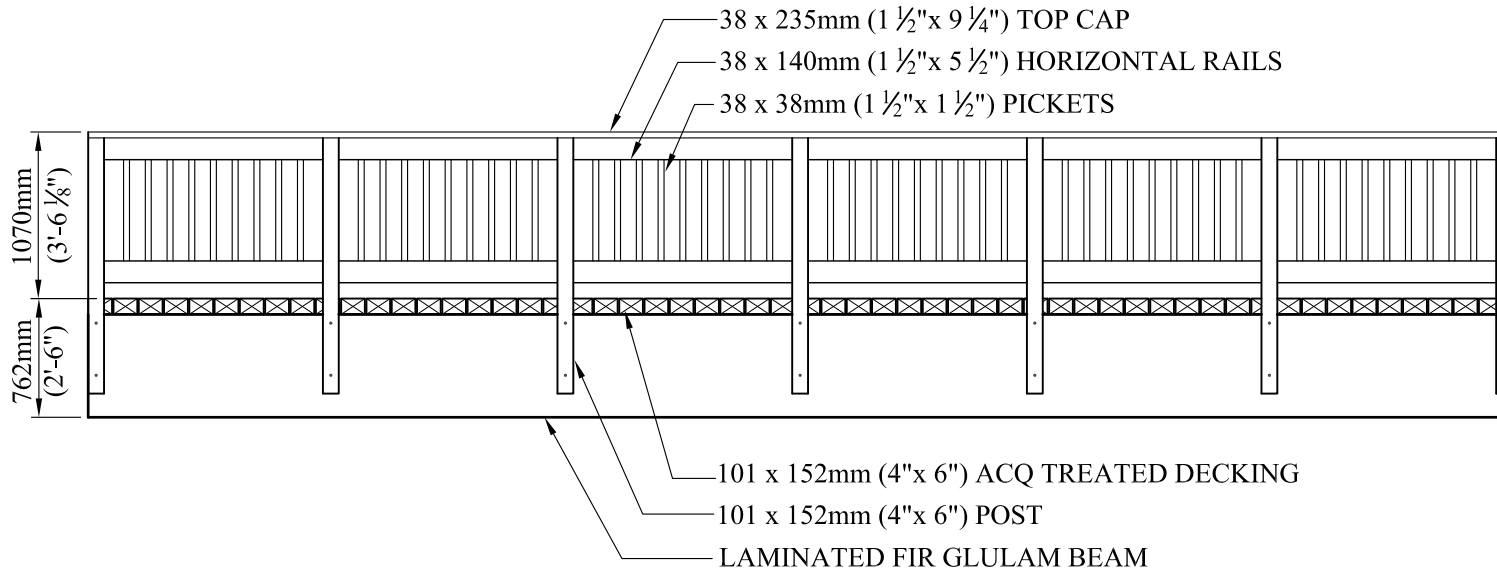
- 3 STEP POWDER COAT
PROCESS:

1. SURFACE PREPARATION-
SANDBLAST METAL
2. PRIME COAT- APPLICATION OF
ZINC RICH PRIMER
3. TOP COAT- FINAL COATING IS
BAKED ON FOR THE BEST IN LONG
LASTING DURABILITY

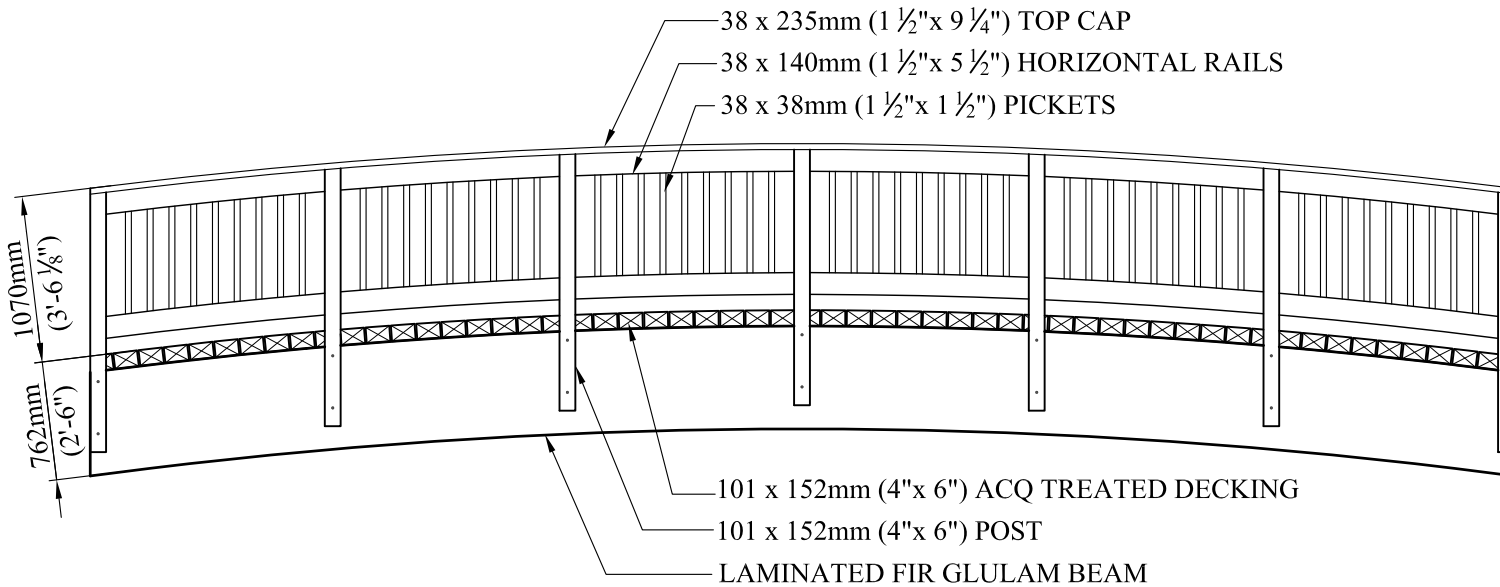
STANDARD SIZES:

- WIDTH: 1830mm (6'), 2440mm
(8'), 3048mm (10').
- LENGTH: 6096mm (20'), 9144mm
(30'), 12192mm (40'), 15240mm
(50'), 18288mm (60')
- OTHER SIZES AVAILABLE.

GENERAL CONCEPT ONLY.
NOT FOR CONSTRUCTION.



LEVEL BRIDGE



ARCHED BRIDGE



4111-17th Street SE Calgary, AB T2G 3W5
Ph# 569-8180 Fax# 272-4544
e-mail: reception.cpl@telus.net
www.custompark.com