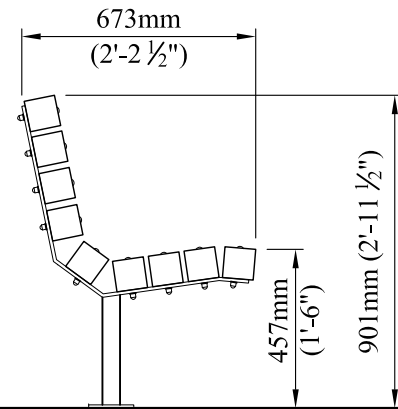
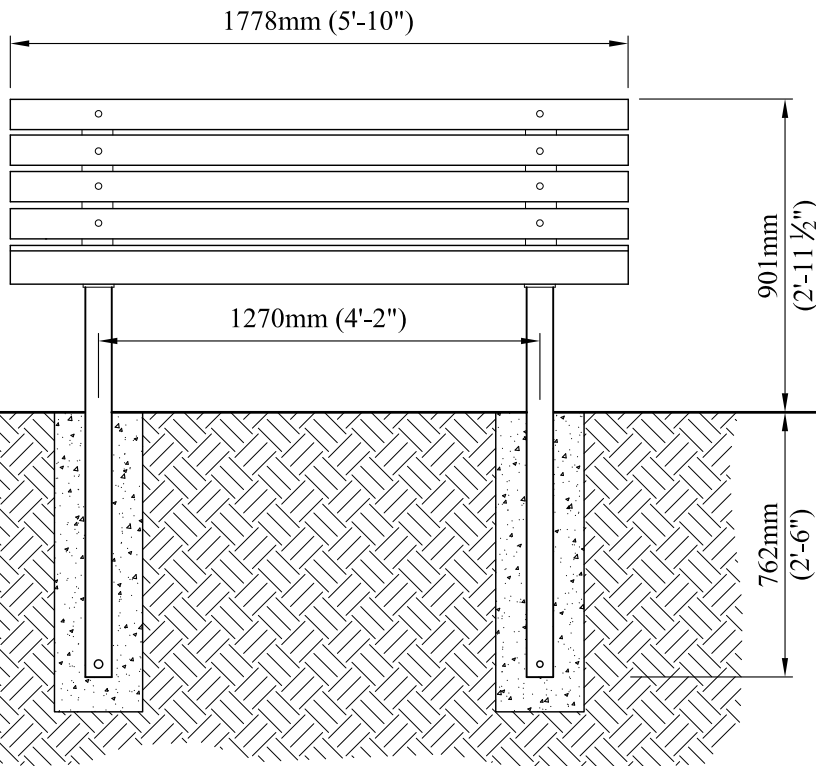


FRONT VIEW

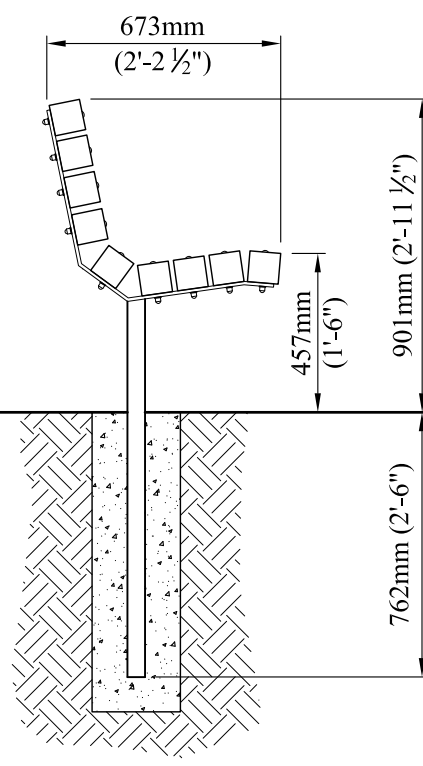


END VIEW

**SURFACE MOUNT (BAS)**



FRONT VIEW



END VIEW

**IN GROUND (BAG)**

**PARK BENCH  
SERIES A**

**SPECIFICATIONS**

**WOOD:**

- 88.9 x 88.9 x 1778.0mm  
(3 1/2" x 3 1/2" x 70") #1 GRADE  
CLEAR CEDAR

**STEEL TYPE:**

- 88.9 x 9.5mm (3 1/2" x 3/8") FLAT  
BAR FRAME  
- 76.2 x 50.8mm (3" x 2")  
RECTANGULAR TUBE LEGS

**FASTENERS:**

- 9.5mm (3/8") PLATED CARRIAGE  
BOLTS. COLOR MATCHED TO  
STEEL FRAME.

**STEEL FINISH:**

- 3 STEP POWDER COAT  
PROCESS:

1. SURFACE PREPARATION-  
SANDBLAST METAL
2. PRIME COAT- APPLICATION OF  
ZINC RICH PRIMER
3. TOP COAT- FINAL COATING IS  
BAKED ON FOR THE BEST IN LONG  
LASTING DURABILITY

**WOOD FINISH:**

- AVAILABLE IN LIFETIME  
PRESERVATIVE OR SIKKENS  
STAIN.

STEEL FRAME AVAILABLE IN A  
WIDE VARIETY OF COLORS.  
REFER TO COLOR CHART FOR  
MORE INFORMATION.



4111-17th Street SE Calgary, AB T2G 3W5  
Ph# 569-8180 Fax# 272-4544  
e-mail: reception.cpl@telus.net  
[www.custompark.com](http://www.custompark.com)