

## PARK BENCH - SERIES BR RECYCLED PLASTIC

### SPECIFICATIONS

#### WOOD:

- 38.1 x 88.9 x 1600mm  
(1 1/2" x 3 1/2" x 63")

#### WOOD OPTIONS:

TREX- AVAILABLE IN 4 DIFFERENT  
COLORS.

#### STEEL TYPE:

- 88.9 x 9.5mm (3 1/2" x 3/8") FLAT  
BAR FRAME  
- 76.2 x 50.8mm (3" x 2")  
RECTANGULAR TUBE LEGS  
- 76.2 x 4.8mm (3" x 3/16") FLAT  
BAR ARM REST

#### FASTENERS:

- 9.5mm (3/8") PLATED CARRIAGE  
BOLTS. COLOR MATCHED TO  
STEEL FRAME.

#### STEEL FINISH:

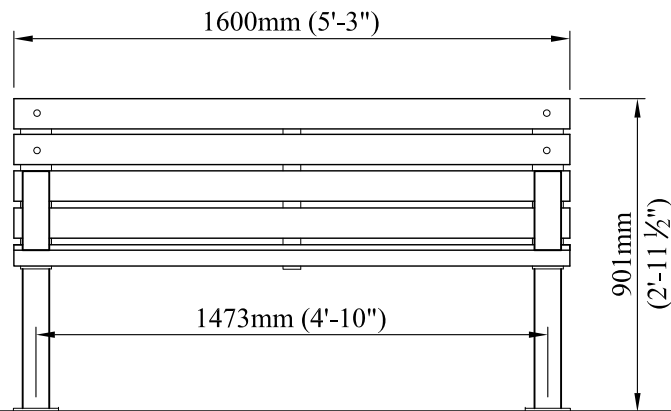
- 3 STEP POWDER COAT  
PROCESS:

1. SURFACE PREPARATION-  
SANDBLAST METAL
2. PRIME COAT- APPLICATION OF  
ZINC RICH PRIMER
3. TOP COAT- FINAL COATING IS  
BAKED ON FOR THE BEST IN LONG  
LASTING DURABILITY

STEEL FRAME AVAILABLE IN A  
WIDE VARIETY OF COLORS.  
REFER TO COLOR CHART FOR  
MORE INFORMATION.

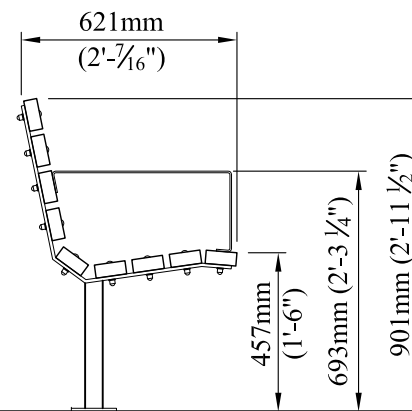


4111-17th Street SE Calgary, AB T2G 3W5  
Ph# 569-8180 Fax# 272-4544  
e-mail: reception.cpl@telus.net  
[www.custompark.com](http://www.custompark.com)

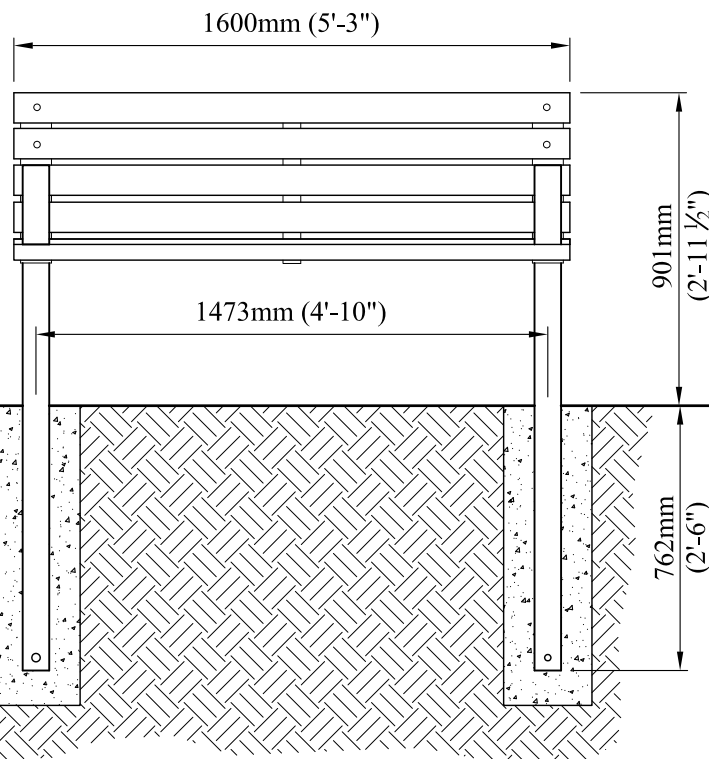


FRONT VIEW

### SURFACE MOUNT (BBRS)

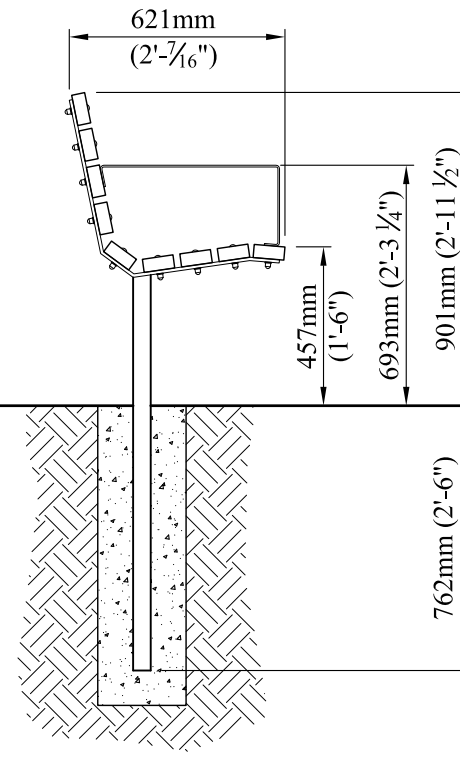


END VIEW



FRONT VIEW

### IN GROUND (BBRG)



END VIEW