

**PARK BENCH
SERIES C- PLAYERS BENCH**

SPECIFICATIONS

WOOD:

- 38.1 x 139.7 x 4572.0mm
(1 1/2" x 5 1/2" x 180")

WOOD OPTIONS:

1. CEDAR- LIFETIME PRESERVATIVE OR SIKKENS STAIN.
2. PINE- ACQ PRESERVATIVE.

STEEL TYPE:

- 38.1 x 50.8mm (1 1/2"x2") ANGLE FRAME
- 60.3mm (2 3/8") O.D. PIPE LEGS

FASTENERS:

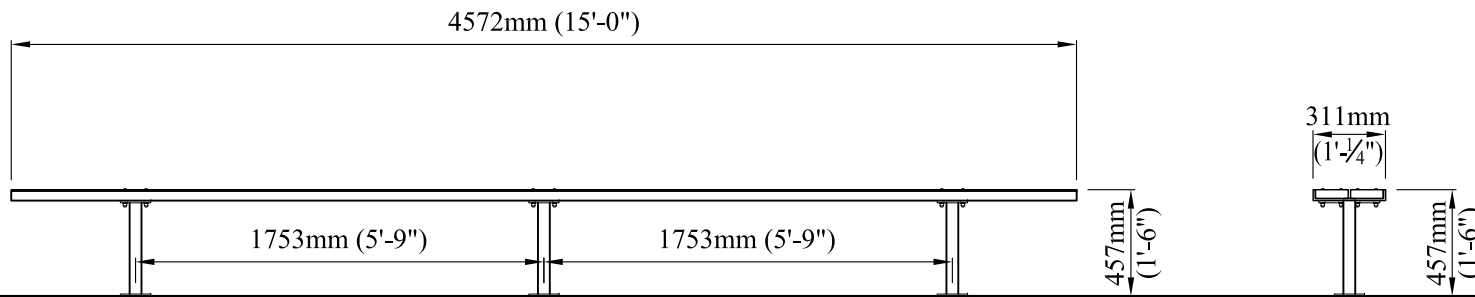
- 9.5mm (3/8") PLATED CARRIAGE BOLTS. COLOR MATCHED TO STEEL FRAME.

STEEL FINISH:

- 3 STEP POWDER COAT PROCESS:

1. SURFACE PREPARATION- SANDBLAST METAL
2. PRIME COAT- APPLICATION OF ZINC RICH PRIMER
3. TOP COAT- FINAL COATING IS BAKED ON FOR THE BEST IN LONG LASTING DURABILITY

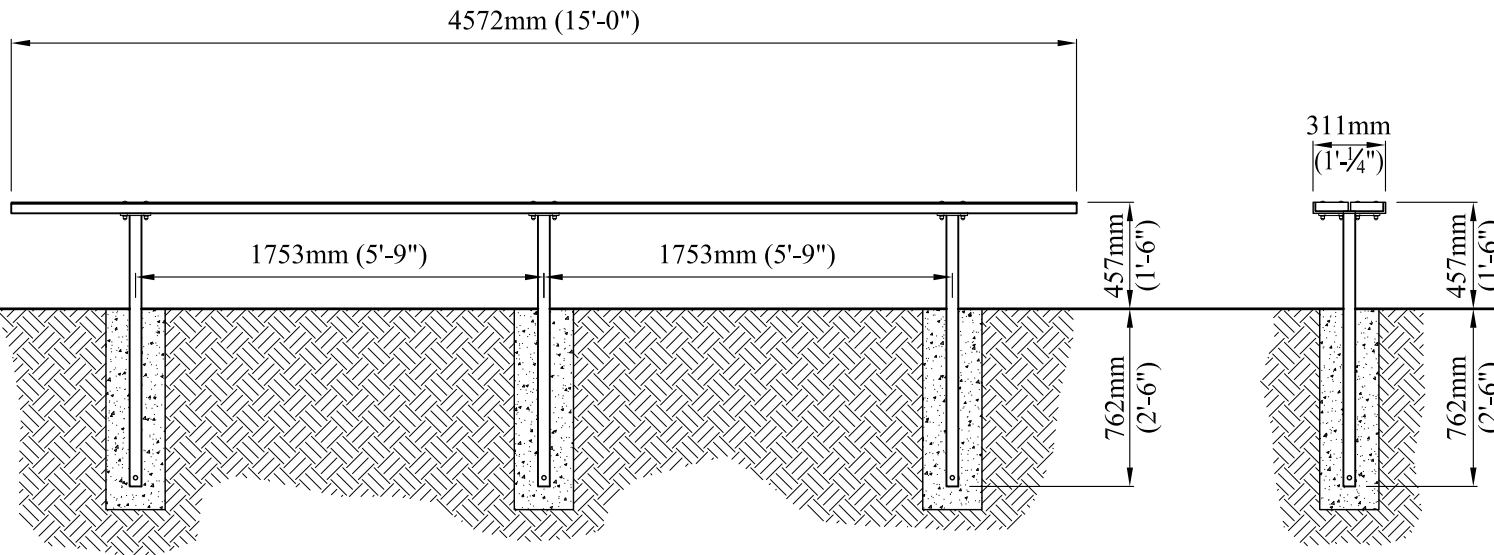
STEEL FRAME AVAILABLE IN A WIDE VARIETY OF COLORS. REFER TO COLOR CHART FOR MORE INFORMATION. AVAILABLE IN CUSTOM LENGTHS.



FRONT VIEW

END VIEW

SURFACE MOUNT (BCS)



FRONT VIEW

END VIEW

IN GROUND (BCG)



4111-17th Street SE Calgary, AB T2G 3W5
Ph# 569-8180 Fax# 272-4544
e-mail: reception.cpl@telus.net
www.custompark.com