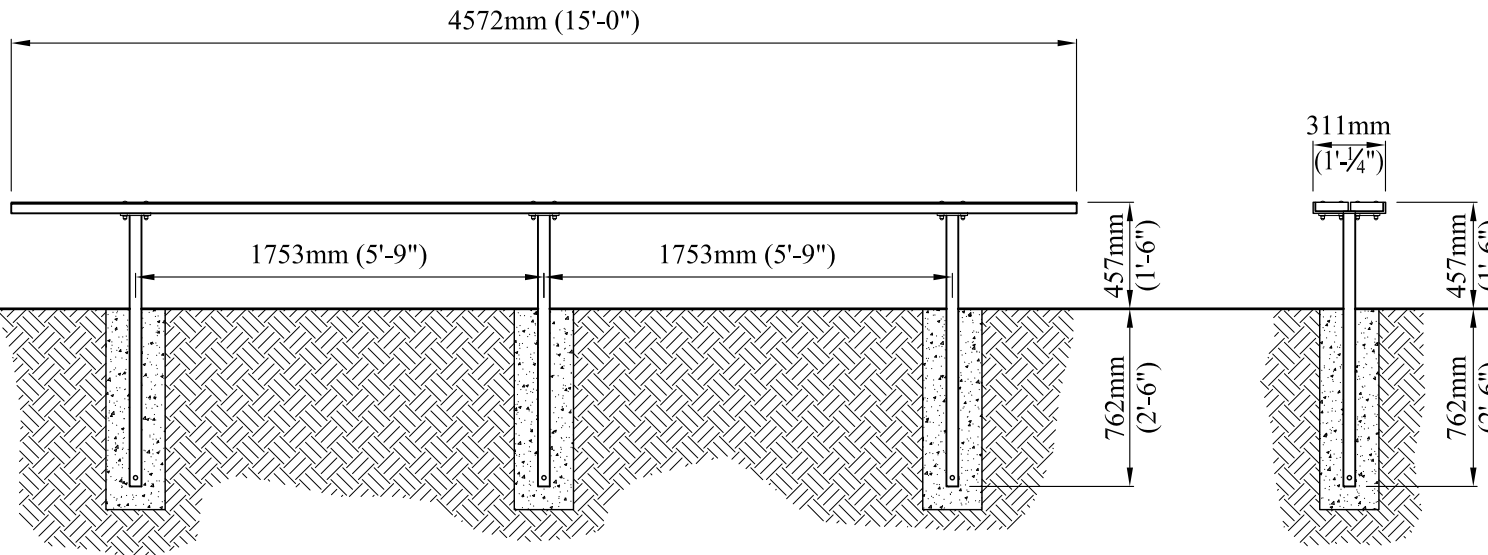


FRONT VIEW

END VIEW

**SURFACE MOUNT (BCRS)**



FRONT VIEW

END VIEW

**IN GROUND (BCRG)**

**PARK BENCH - SERIES CR  
PLAYERS BENCH  
RECYCLED PLASTIC**

SPECIFICATIONS

WOOD:

- 38.1 x 139.7 x 4572.0mm  
(1 1/2" x 5 1/2" x 180")

WOOD OPTIONS:

TREX- AVAILABLE IN 4 DIFFERENT COLORS.

STEEL TYPE:

- 38.1 x 50.8mm (1 1/2"x2") ANGLE FRAME  
- 60.3mm (2 3/8") O.D. PIPE LEGS

FASTENERS:

- 9.5mm (3/8") PLATED CARRIAGE BOLTS. COLOR MATCHED TO STEEL FRAME.

STEEL FINISH:

- 3 STEP POWDER COAT

PROCESS:

1. SURFACE PREPARATION-SANDBLAST METAL
2. PRIME COAT- APPLICATION OF ZINC RICH PRIMER
3. TOP COAT- FINAL COATING IS BAKED ON FOR THE BEST IN LONG LASTING DURABILITY

STEEL FRAME AVAILABLE IN A WIDE VARIETY OF COLORS. REFER TO COLOR CHART FOR MORE INFORMATION. AVAILABLE IN CUSTOM LENGTHS.



4111-17th Street SE Calgary, AB T2G 3W5  
Ph# 569-8180 Fax# 272-4544  
e-mail: reception.cpl@telus.net  
[www.custompark.com](http://www.custompark.com)