

PARK BENCH SERIES D

SPECIFICATIONS

WOOD:

- 88.9 x 88.9 x 1778.0mm
(3 1/2" x 3 1/2" x 70") #1 GRADE
CLEAR CEDAR

STEEL TYPE:

- 101.6 x 76.2mm (4"x3") ANGLE
IRON FRAME
- 76.2 x 50.8mm (3"x2")
RECTANGULAR TUBE LEGS

FASTENERS:

- 9.5mm (3/8") PLATED CARRIAGE
BOLTS. COLOR MATCHED TO
STEEL FRAME.

STEEL FINISH:

- 3 STEP POWDER COAT

PROCESS:

1. SURFACE PREPARATION-
SANDBLAST METAL
2. PRIME COAT- APPLICATION OF
ZINC RICH PRIMER
3. TOP COAT- FINAL COATING IS
BAKED ON FOR THE BEST IN LONG
LASTING DURABILITY

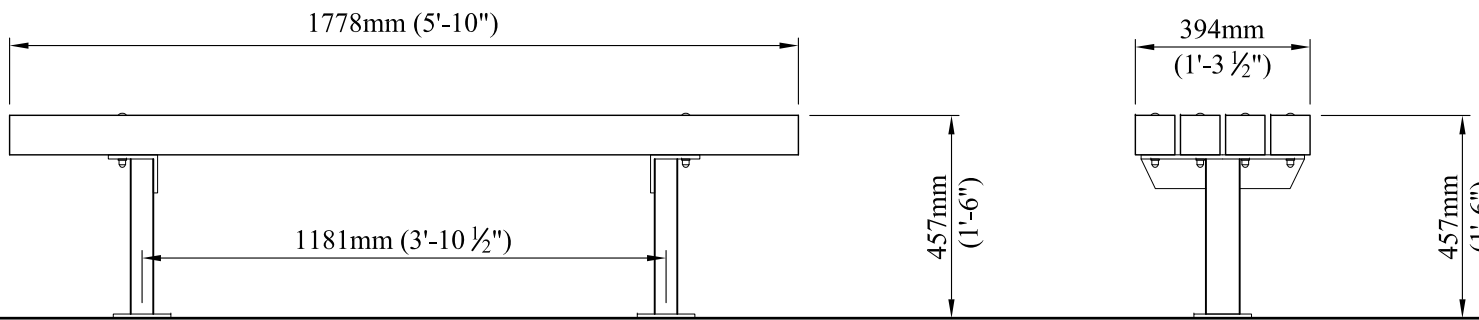
WOOD FINISH:

- AVAILABLE IN LIFETIME
PRESERVATIVE OR SIKKENS
STAIN.

STEEL FRAME AVAILABLE IN A
WIDE VARIETY OF COLORS.
REFER TO COLOR CHART FOR
MORE INFORMATION.



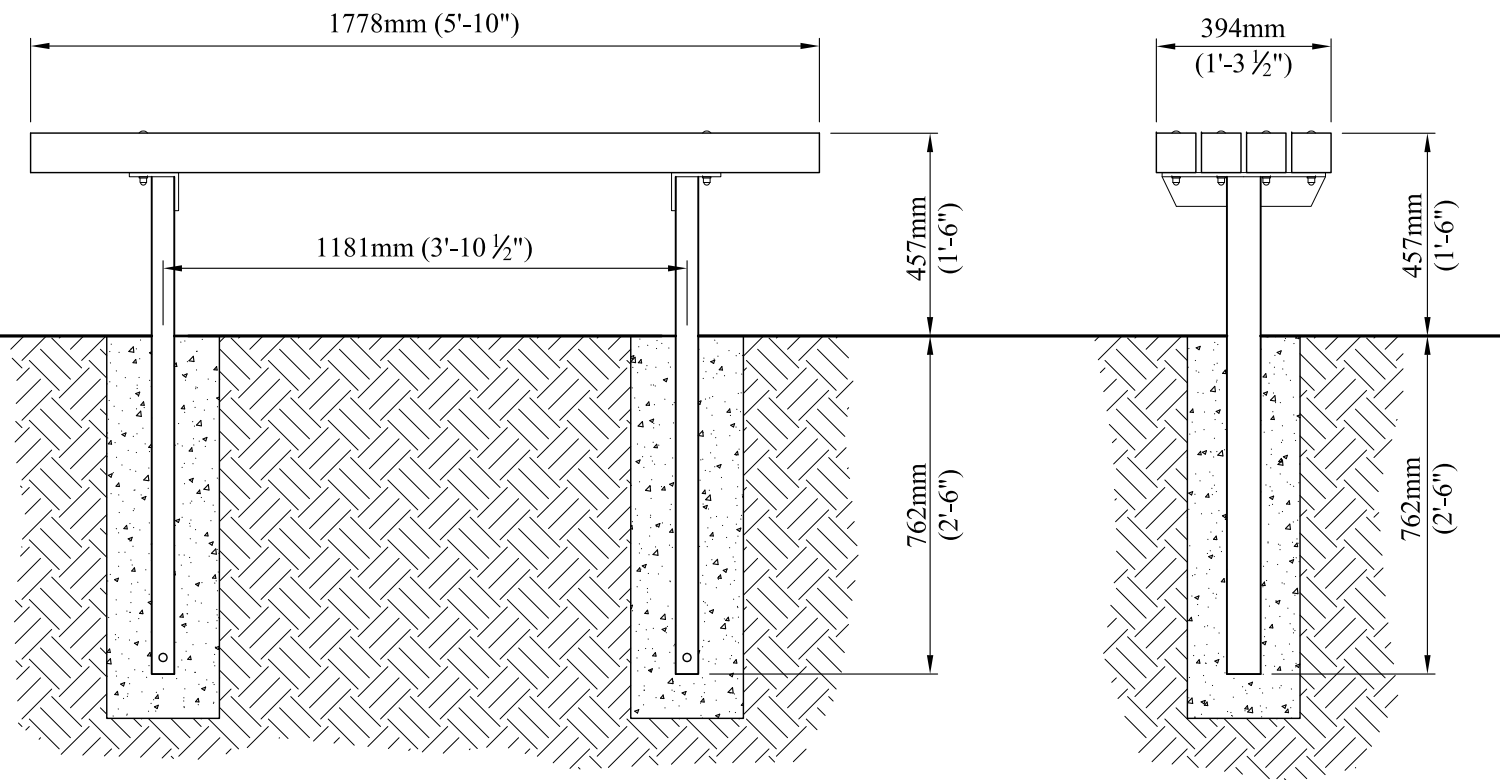
4111-17th Street SE Calgary, AB T2G 3W5
Ph# 569-8180 Fax# 272-4544
e-mail: reception.cpl@telus.net
www.custompark.com



FRONT VIEW

END VIEW

SURFACE MOUNT (BDS)



FRONT VIEW

END VIEW

IN GROUND (BDG)