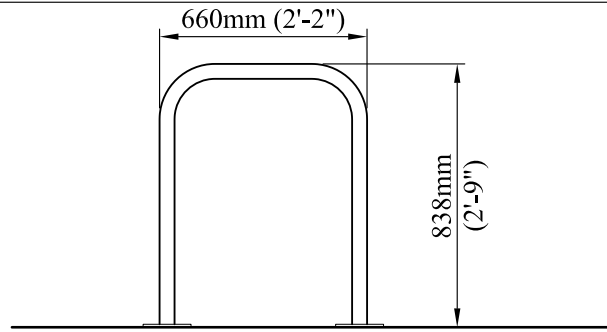
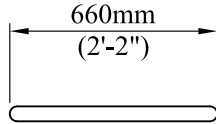


PLAN VIEW

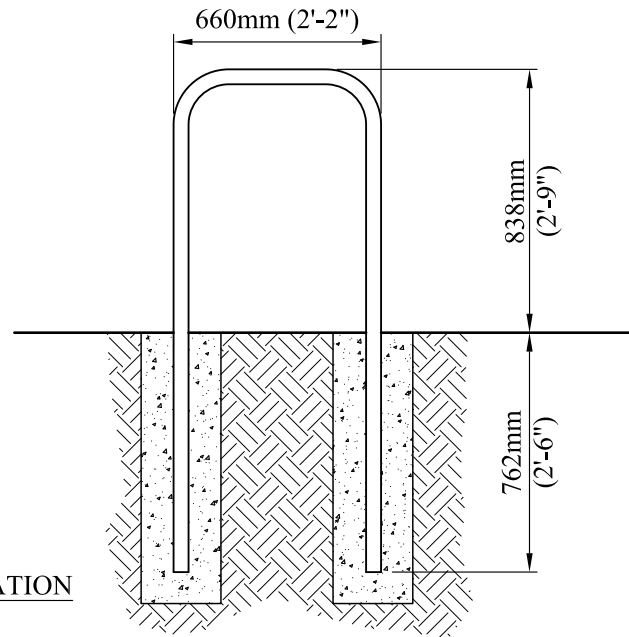


ELEVATION

SURFACE MOUNT (RBS)

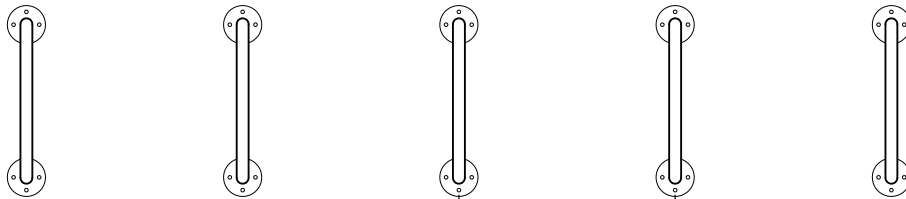


PLAN VIEW



ELEVATION

IN GROUND (RBG)



PLAN VIEW

TYPICAL BIKE RACK LAYOUT

**BIKE RACK
SERIES B**

SPECIFICATIONS

STEEL:

- 47.6mm (1 7/8") O.D. PIPE FRAME

STEEL FINISH:

- 3 STEP POWDER COAT
PROCESS:

1. SURFACE PREPARATION-
SANDBLAST METAL
2. PRIME COAT- APPLICATION OF
ZINC RICH PRIMER
3. TOP COAT- FINAL COATING IS
BAKED ON FOR THE BEST IN LONG
LASTING DURABILITY

STEEL FRAME AVAILABLE IN A
WIDE VARIETY OF COLORS.
REFER TO COLOR CHART FOR
MORE INFORMATION.



4111-17th Street SE Calgary, AB T2G 3W5
Ph# 569-8180 Fax# 272-4544
e-mail: reception.cpl@telus.net
www.custompark.com