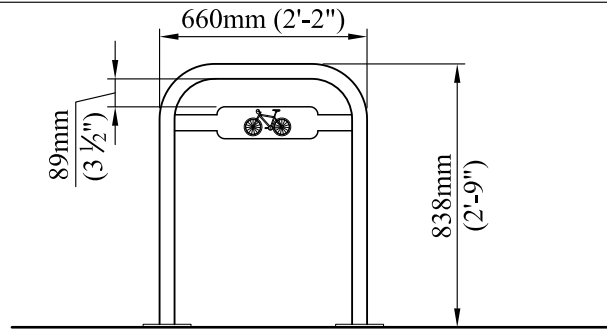
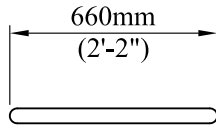


PLAN VIEW

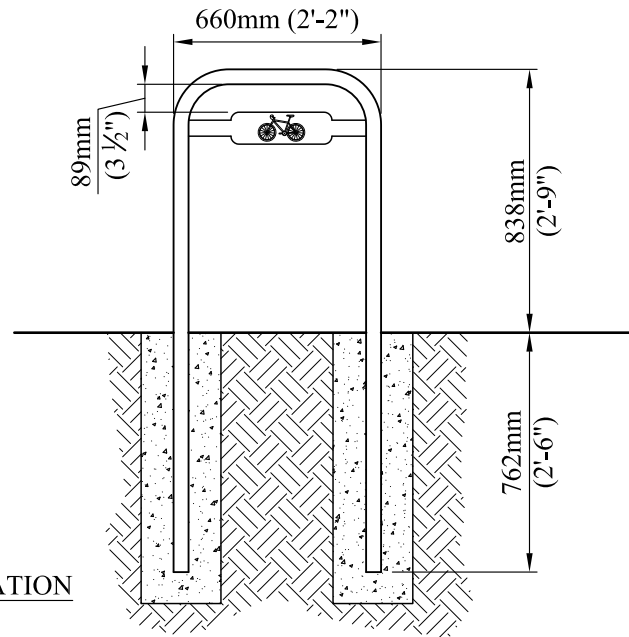


ELEVATION

SURFACE MOUNT (RB1S)

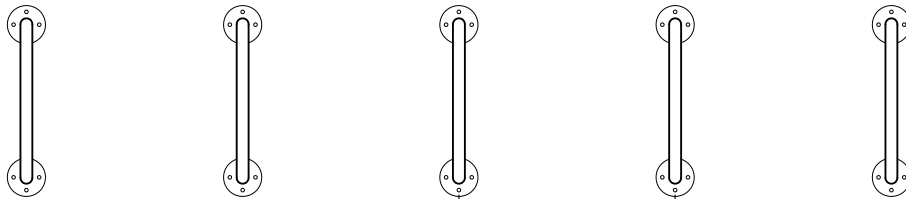


PLAN VIEW



ELEVATION

IN GROUND (RB1G)



PLAN VIEW

TYPICAL BIKE RACK LAYOUT

**BIKE RACK
SERIES B-1**

SPECIFICATIONS

STEEL:

- 47.6mm (1 7/8") O.D. PIPE FRAME
- 2.5mm (12g) LOGO PLATE

STEEL FINISH:

- 3 STEP POWDER COAT PROCESS:

1. SURFACE PREPARATION- SANDBLAST METAL
2. PRIME COAT- APPLICATION OF ZINC RICH PRIMER
3. TOP COAT- FINAL COATING IS BAKED ON FOR THE BEST IN LONG LASTING DURABILITY

STEEL FRAME AVAILABLE IN A WIDE VARIETY OF COLORS. REFER TO COLOR CHART FOR MORE INFORMATION.



4111-17th Street SE Calgary, AB T2G 3W5
 Ph# 569-8180 Fax# 272-4544
 e-mail: reception.cpl@telus.net
www.custompark.com