

BIKE RACK SERIES C

SPECIFICATIONS

STEEL:

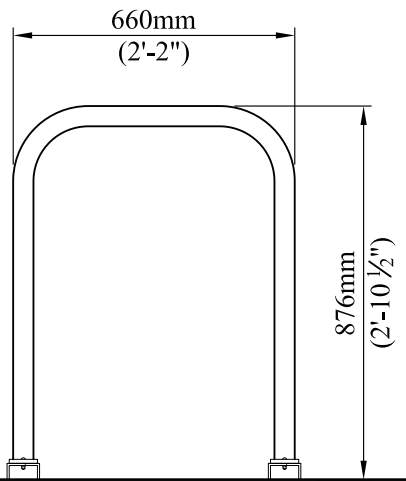
- 47.6mm (1 7/8") O.D. PIPE FRAME
 - 76.2mm (3") CHANNEL
- MOUNTING PLATE

STEEL FINISH:

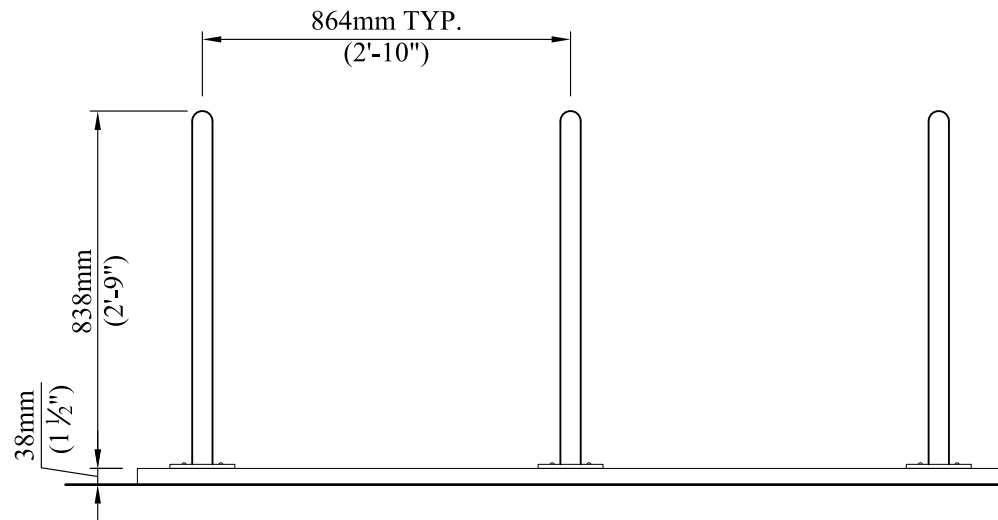
- 3 STEP POWDER COAT
- PROCESS:

1. SURFACE PREPARATION-
SANDBLAST METAL
2. PRIME COAT- APPLICATION OF
ZINC RICH PRIMER
3. TOP COAT- FINAL COATING IS
BAKED ON FOR THE BEST IN LONG
LASTING DURABILITY

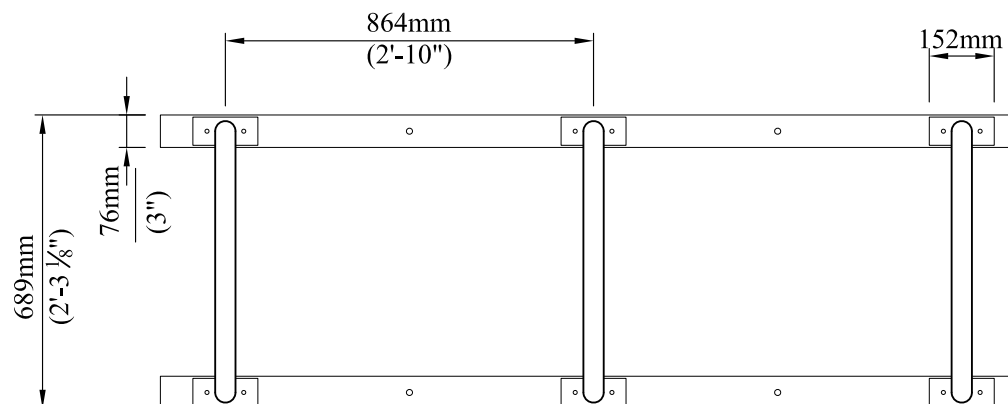
- AVAILABLE IN SETS OF 3
UNITS, 4 UNITS, 5 UNITS, 6
UNITS, & 7 UNITS.



SIDE VIEW



FRONT VIEW



PLAN VIEW

SURFACE MOUNT (RCS)

STEEL FRAME AVAILABLE IN A
WIDE VARIETY OF COLORS.
REFER TO COLOR CHART FOR
MORE INFORMATION.



4111-17th Street SE Calgary, AB T2G 3W5
Ph# 569-8180 Fax# 272-4544
e-mail: reception.cpl@telus.net
www.custompark.com