

BIKE RACK SERIES C-1

SPECIFICATIONS

STEEL:

- 47.6mm (1 7/8") O.D. PIPE FRAME
- 2.5mm (12g) LOGO PLATE
- 76.2mm (3") CHANNEL MOUNTING PLATE

STEEL FINISH:

- 3 STEP POWDER COAT PROCESS:

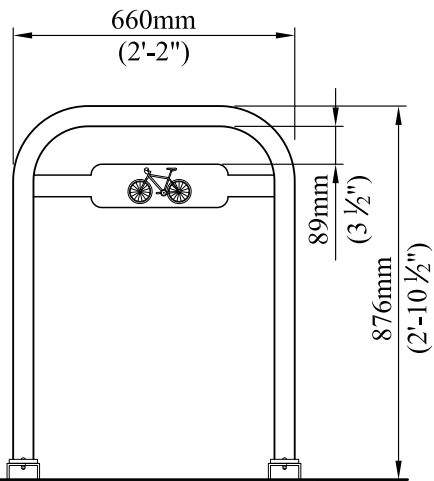
1. SURFACE PREPARATION- SANDBLAST METAL
2. PRIME COAT- APPLICATION OF ZINC RICH PRIMER
3. TOP COAT- FINAL COATING IS BAKED ON FOR THE BEST IN LONG LASTING DURABILITY

- AVAILABLE IN SETS OF 3 UNITS, 4 UNITS, 5 UNITS, 6 UNITS, & 7 UNITS.

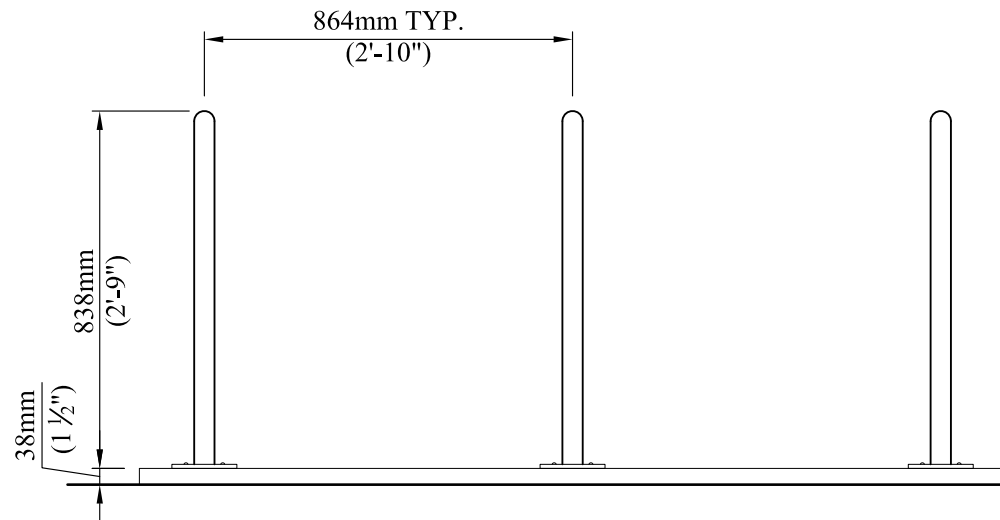
STEEL FRAME AVAILABLE IN A WIDE VARIETY OF COLORS. REFER TO COLOR CHART FOR MORE INFORMATION.



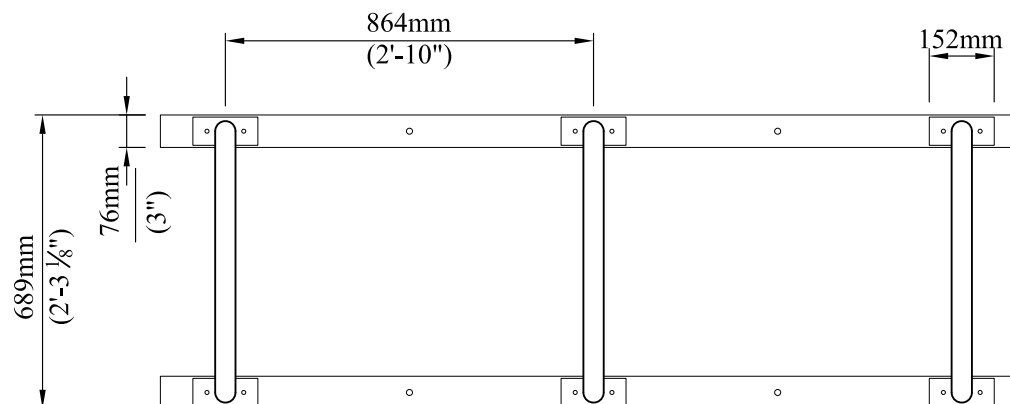
4111-17th Street SE Calgary, AB T2G 3W5
Ph# 569-8180 Fax# 272-4544
e-mail: reception.cpl@telus.net
www.custompark.com



SIDE VIEW



FRONT VIEW



PLAN VIEW

SURFACE MOUNT (RC1S)