

PICNIC TABLE - SERIES A IN GROUND (PAG)

SPECIFICATIONS

WOOD:

- 88.9 x 139.7 x 1778.0mm
(3 1/2" x 5 1/2" x 70") #1 GRADE
SELECT CEDAR

STEEL TYPE:

- 76.2 x 76.2mm (3"x3") ANGLE
IRON FRAME
- 76.2 x 76.2mm (3"x3") SQUARE
TUBE LEGS

FASTENERS:

- 9.5mm (3/8") PLATED CARRIAGE
BOLTS. COLOR MATCHED TO
STEEL FRAME.

STEEL FINISH:

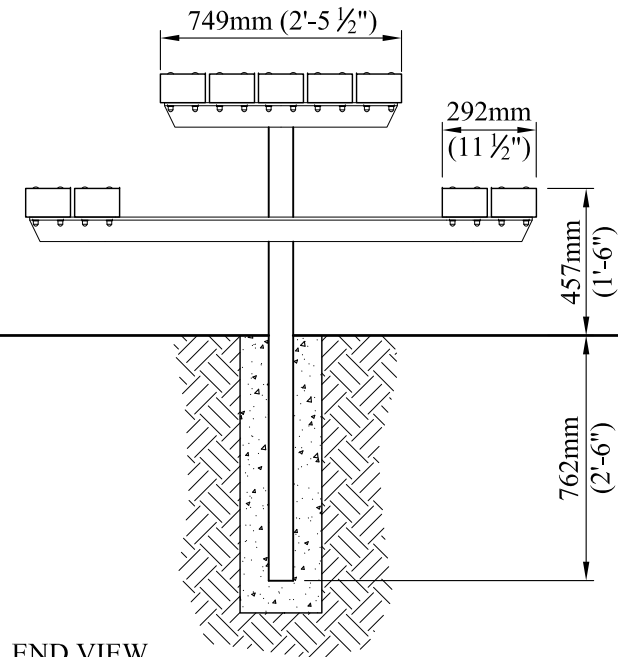
- 3 STEP POWDER COAT
PROCESS:

1. SURFACE PREPARATION-
SANDBLAST METAL
2. PRIME COAT- APPLICATION OF
ZINC RICH PRIMER
3. TOP COAT- FINAL COATING IS
BAKED ON FOR THE BEST IN LONG
LASTING DURABILITY

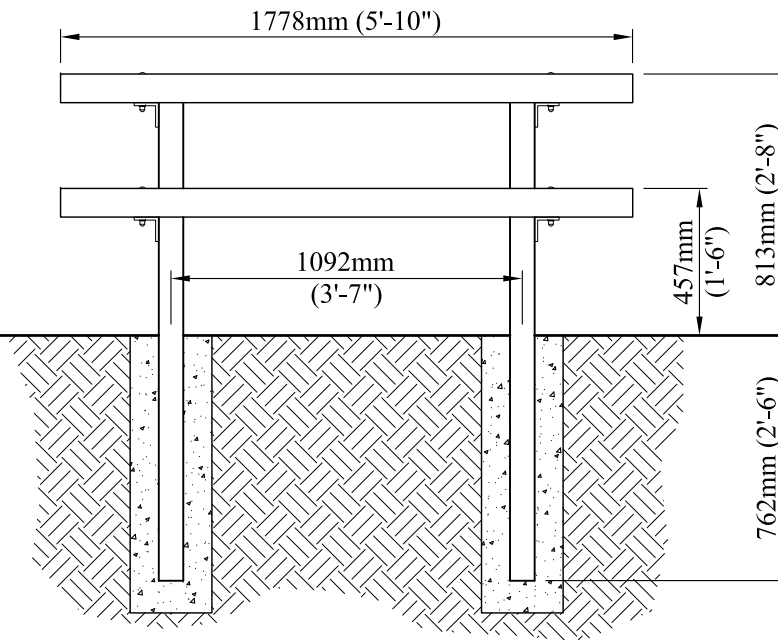
WOOD FINISH:

- AVAILABLE IN LIFETIME
PRESERVATIVE OR SIKKENS
STAIN.

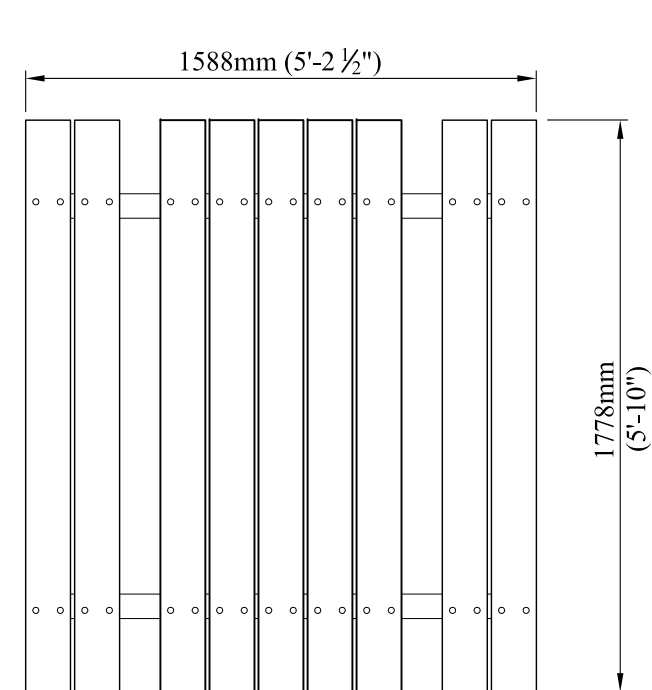
STEEL FRAME AVAILABLE IN A
WIDE VARIETY OF COLORS.
REFER TO COLOR CHART FOR
MORE INFORMATION.



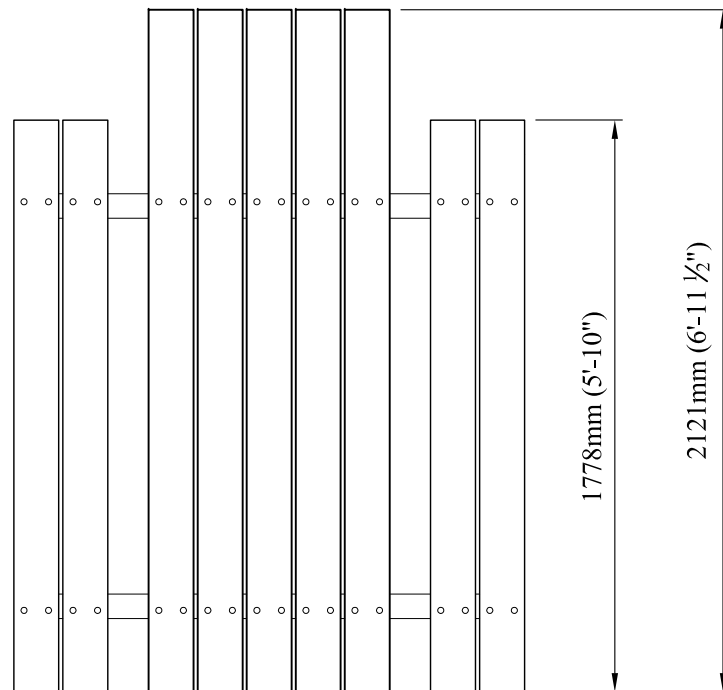
END VIEW



SIDE VIEW



PLAN VIEW



PLAN VIEW
WHEELCHAIR ACCESSIBLE



4111-17th Street SE Calgary, AB T2G 3W5
Ph# 569-8180 Fax# 272-4544
e-mail: reception.cpl@telus.net
www.custompark.com

PICNIC TABLE - SERIES A SURFACE MOUNT (PAS)

SPECIFICATIONS

WOOD:

- 88.9 x 139.7 x 1778.0mm
(3 1/2" x 5 1/2" x 70") #1 GRADE
SELECT CEDAR

STEEL TYPE:

- 76.2 x 76.2mm (3" x 3") ANGLE
IRON FRAME
- 76.2 x 76.2mm (3" x 3") SQUARE
TUBE LEGS

FASTENERS:

- 9.5mm (3/8") PLATED CARRIAGE
BOLTS. COLOR MATCHED TO
STEEL FRAME.

STEEL FINISH:

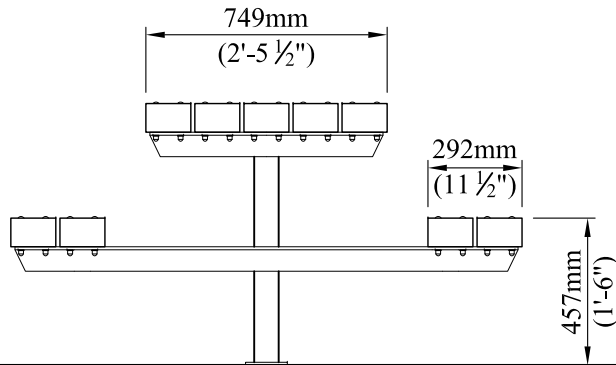
- 3 STEP POWDER COAT
PROCESS:

1. SURFACE PREPARATION-
SANDBLAST METAL
2. PRIME COAT- APPLICATION OF
ZINC RICH PRIMER
3. TOP COAT- FINAL COATING IS
BAKED ON FOR THE BEST IN LONG
LASTING DURABILITY

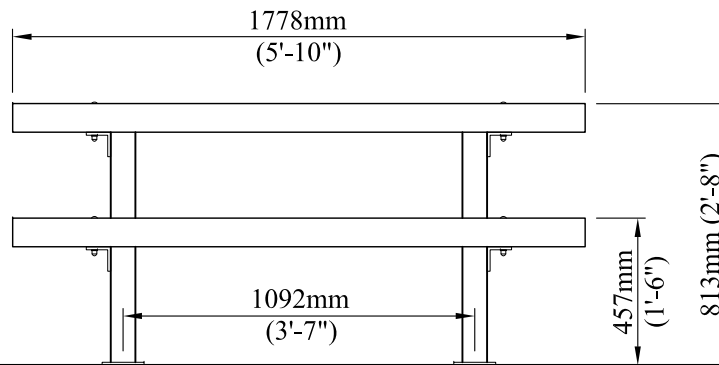
WOOD FINISH:

- AVAILABLE IN LIFETIME
PRESERVATIVE OR SIKKENS
STAIN.

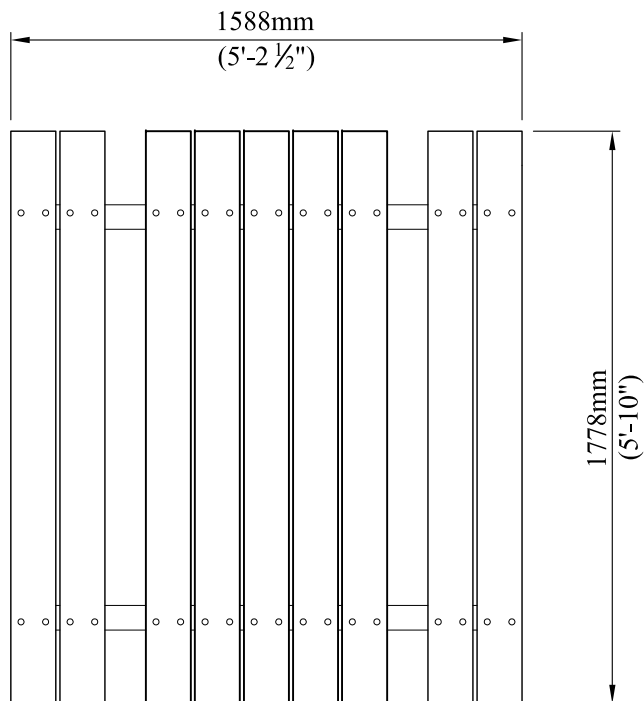
STEEL FRAME AVAILABLE IN A
WIDE VARIETY OF COLORS.
REFER TO COLOR CHART FOR
MORE INFORMATION.



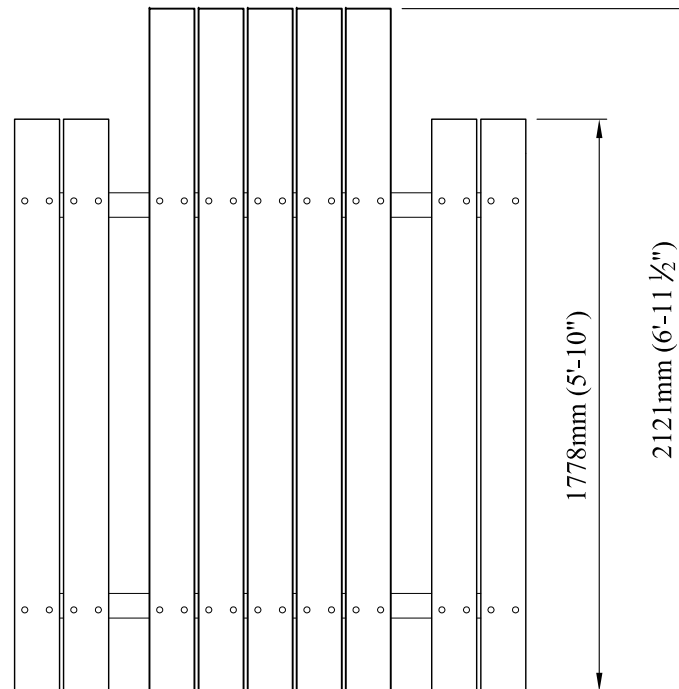
END VIEW



SIDE VIEW



PLAN VIEW



PLAN VIEW
WHEELCHAIR ACCESSIBLE



4111-17th Street SE Calgary, AB T2G 3W5
Ph# 569-8180 Fax# 272-4544
e-mail: reception.cpl@telus.net
www.custompark.com