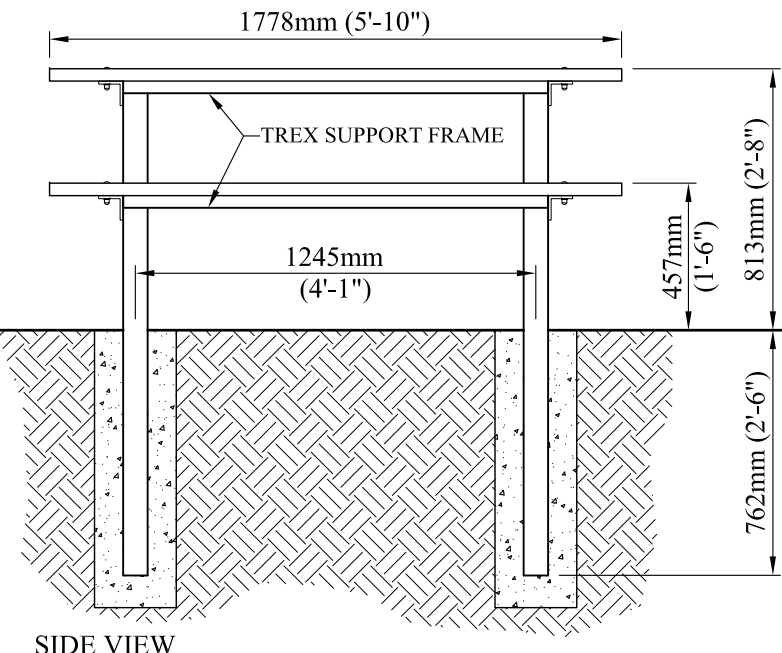
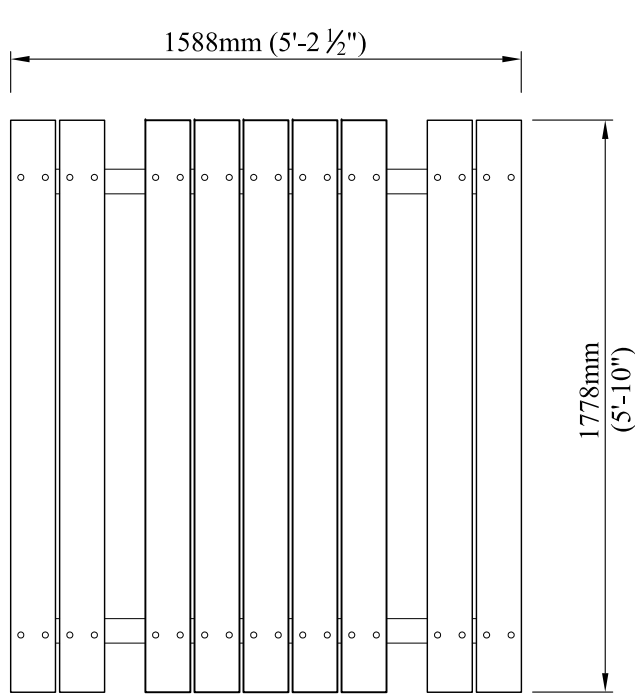


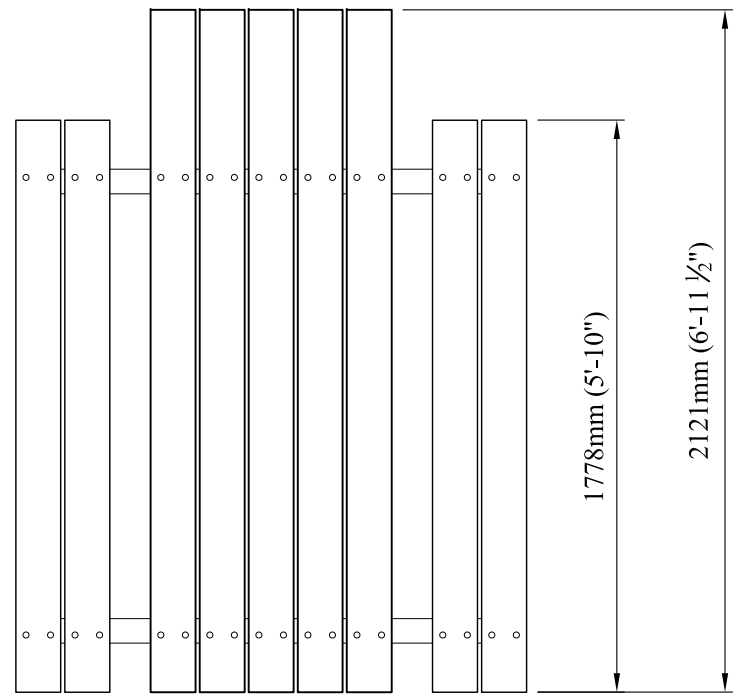
END VIEW



SIDE VIEW



PLAN VIEW



PLAN VIEW
WHEELCHAIR ACCESSIBLE

**PICNIC TABLE - SERIES AR
RECYCLED PLASTIC
IN GROUND (PARG)**

SPECIFICATIONS

WOOD:
- 38 x 139.7 x 1778.0mm
(1 1/2" x 5 1/2" x 70")

WOOD OPTIONS:
1. TREX- AVAILABLE IN 4 DIFFERENT COLORS.

STEEL TYPE:
- 76.2 x 76.2mm (3"x3") ANGLE
IRON FRAME
- 76.2 x 76.2mm (3"x3") SQUARE
TUBE LEGS

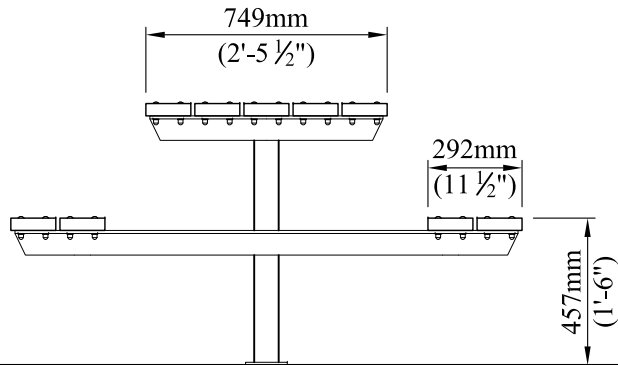
FASTENERS:
- 9.5mm (3/8") PLATED CARRIAGE
BOLTS. COLOR MATCHED TO
STEEL FRAME.

STEEL FINISH:
- 3 STEP POWDER COAT
PROCESS:
1. SURFACE PREPARATION-
SANDBLAST METAL
2. PRIME COAT- APPLICATION OF
ZINC RICH PRIMER
3. TOP COAT- FINAL COATING IS
BAKED ON FOR THE BEST IN LONG
LASTING DURABILITY

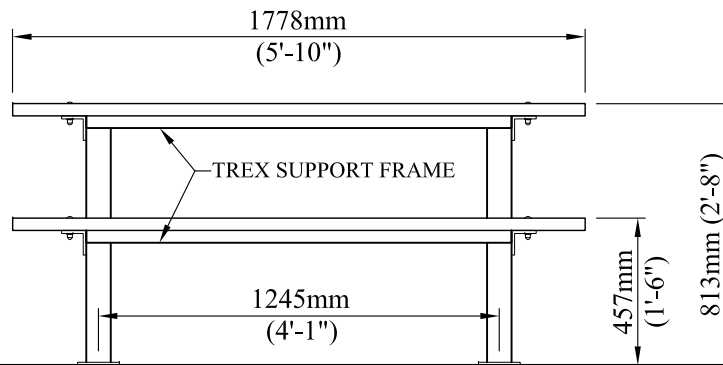
STEEL FRAME AVAILABLE IN A
WIDE VARIETY OF COLORS.
REFER TO COLOR CHART FOR
MORE INFORMATION.



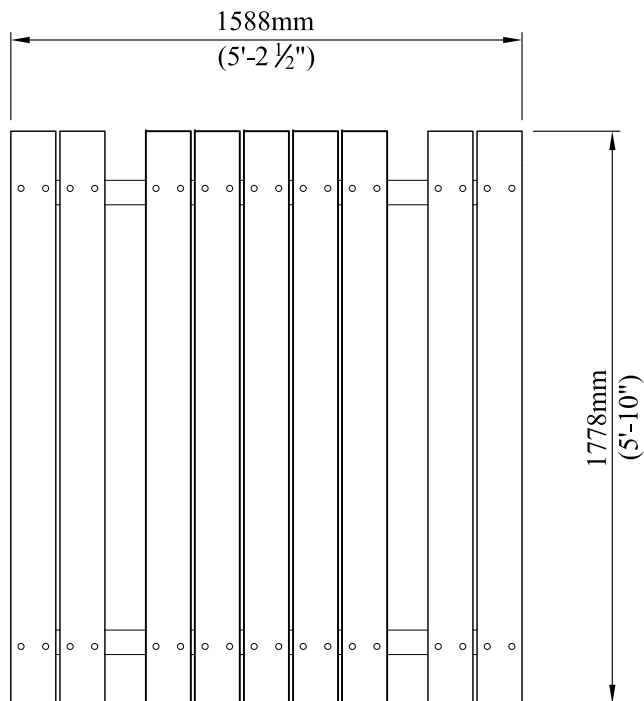
4111-17th Street SE Calgary, AB T2G 3W5
Ph# 569-8180 Fax# 272-4544
e-mail: reception.cpl@telus.net
www.custompark.com



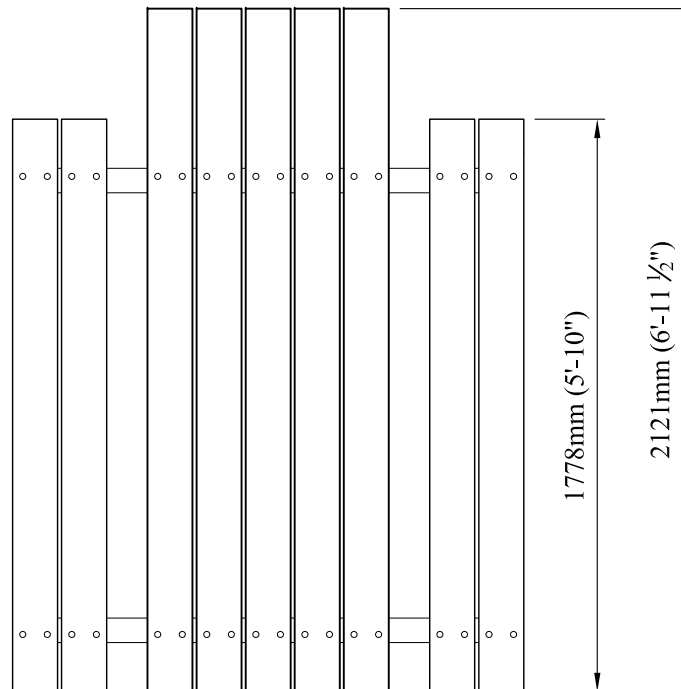
END VIEW



SIDE VIEW



PLAN VIEW



PLAN VIEW
WHEELCHAIR ACCESSIBLE

**PICNIC TABLE - SERIES AR
RECYCLED PLASTIC
SURFACE MOUNT (PARS)**

SPECIFICATIONS

WOOD:
- 38 x 139.7 x 1778.0mm
(1 1/2" x 5 1/2" x 70")

WOOD OPTIONS:
1. TREX - AVAILABLE IN 4 DIFFERENT COLORS.

STEEL TYPE:
- 76.2 x 76.2mm (3"x3") ANGLE
IRON FRAME
- 76.2 x 76.2mm (3"x3") SQUARE
TUBE LEGS

FASTENERS:
- 9.5mm (3/8") PLATED CARRIAGE
BOLTS. COLOR MATCHED TO
STEEL FRAME.

STEEL FINISH:
- 3 STEP POWDER COAT
PROCESS:
1. SURFACE PREPARATION-
SANDBLAST METAL
2. PRIME COAT- APPLICATION OF
ZINC RICH PRIMER
3. TOP COAT- FINAL COATING IS
BAKED ON FOR THE BEST IN LONG
LASTING DURABILITY

STEEL FRAME AVAILABLE IN A
WIDE VARIETY OF COLORS.
REFER TO COLOR CHART FOR
MORE INFORMATION.



4111-17th Street SE Calgary, AB T2G 3W5
Ph# 569-8180 Fax# 272-4544
e-mail: reception.cpl@telus.net
www.custompark.com