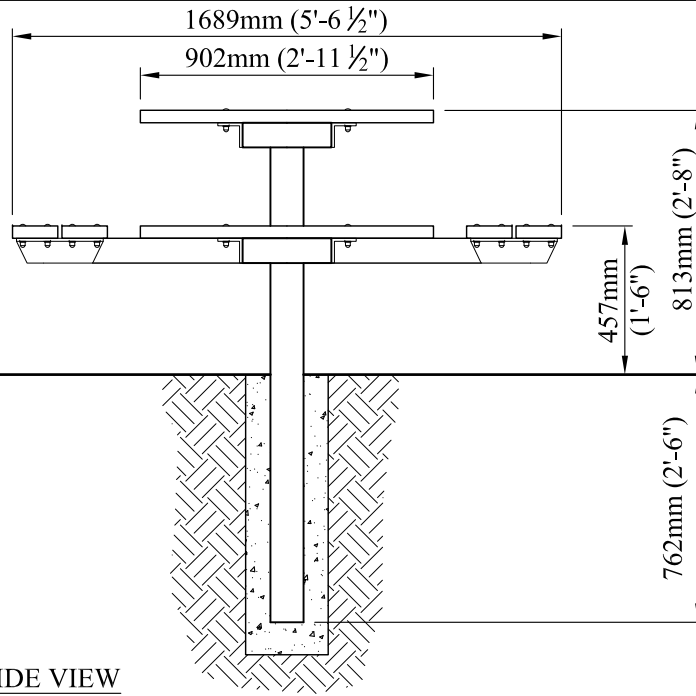
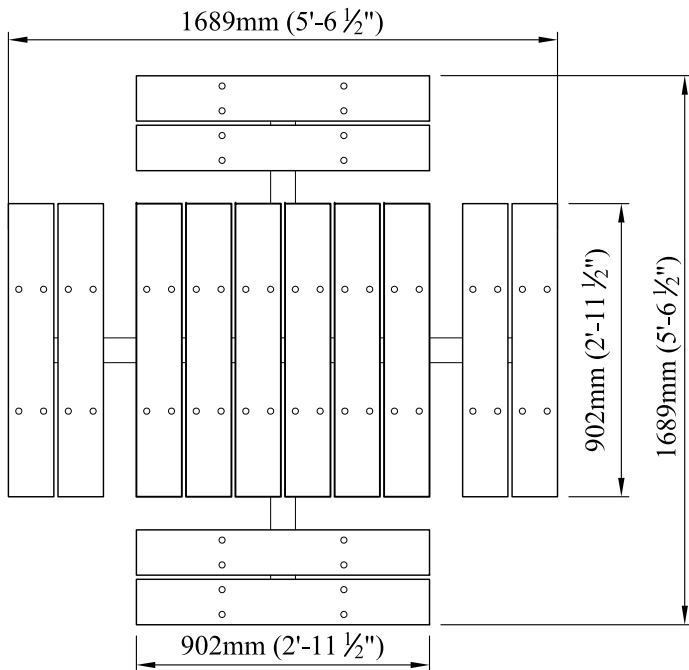


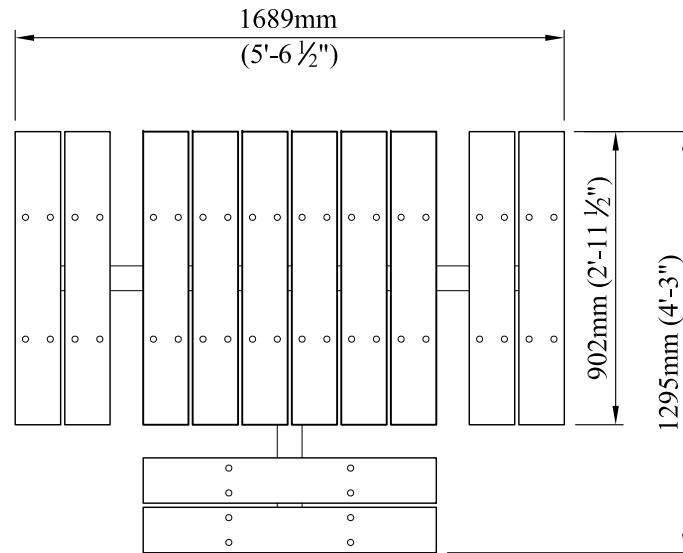
SECTION



SIDE VIEW



PLAN VIEW



PLAN VIEW
WHEELCHAIR ACCESSIBLE

PICNIC TABLE - SERIES C1 IN GROUND (PC1G)

SPECIFICATIONS

WOOD:

- 88.9 x 139.7 x 901.7mm
(1 1/2" x 5 1/2" x 35 1/2")

WOOD OPTIONS:

1. CEDAR- LIFETIME PRESERVATIVE OR SIKKENS STAIN.
2. PINE- ACQ PRESERVATIVE.

STEEL TYPE:

- 101.6 x 101.6mm (4"x4") SQUARE TUBE CENTRE SUPPORT
 - 76.2 x 76.2mm (3"x3") SQUARE TUBE SEAT SUPPORTS
 - 76.2 x 76.2mm (3"x3") ANGLE IRON WOOD SUPPORTS

FASTENERS:

- 9.5mm (3/8") PLATED CARRIAGE BOLTS. COLOR MATCHED TO STEEL FRAME.

STEEL FINISH:

- 3 STEP POWDER COAT

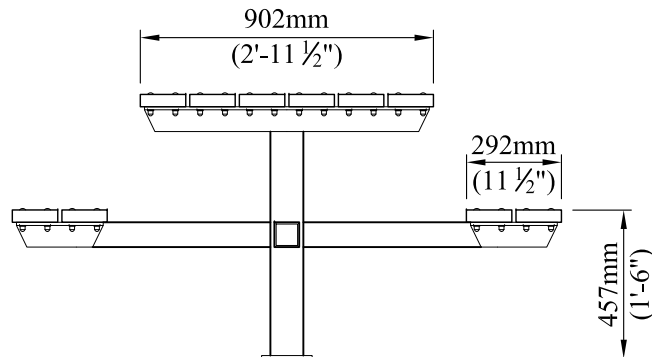
PROCESS:

1. SURFACE PREPARATION- SANDBLAST METAL
2. PRIME COAT- APPLICATION OF ZINC RICH PRIMER
3. TOP COAT- FINAL COATING IS BAKED ON FOR THE BEST IN LONG LASTING DURABILITY

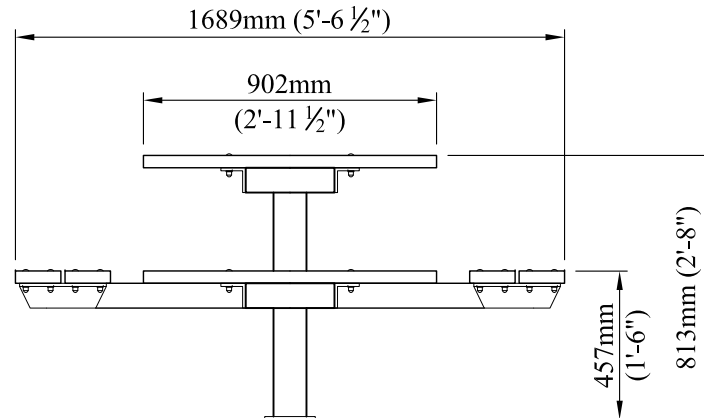
STEEL FRAME AVAILABLE IN A WIDE VARIETY OF COLORS. REFER TO COLOR CHART FOR MORE INFORMATION.



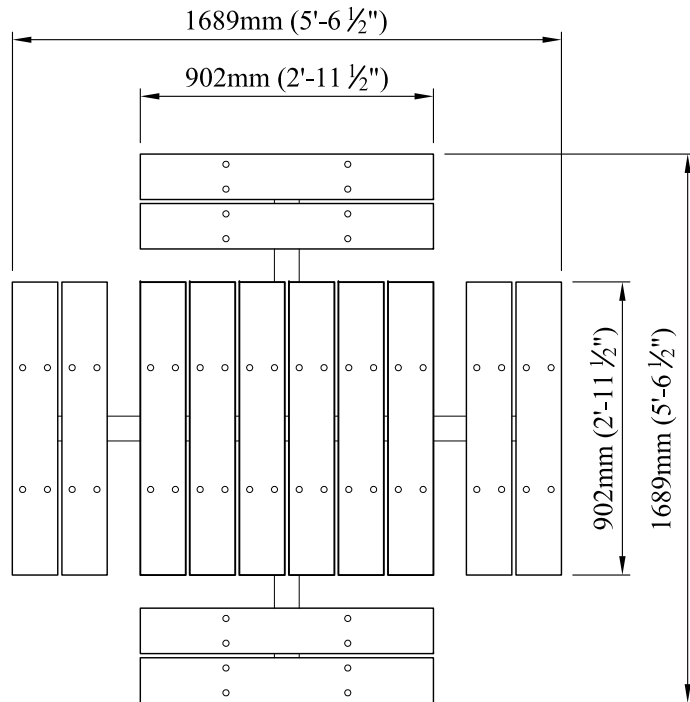
4111-17th Street SE Calgary, AB T2G 3W5
 Ph# 569-8180 Fax# 272-4544
 e-mail: reception.cpl@telus.net
www.custompark.com



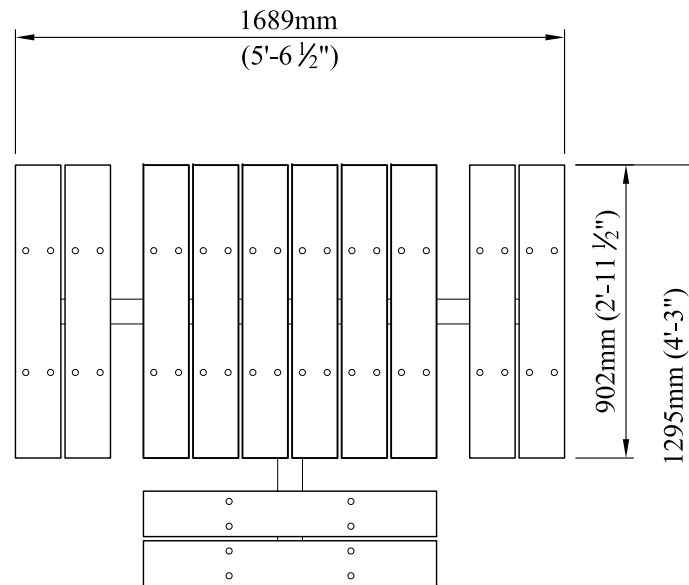
SECTION



SIDE VIEW



PLAN VIEW



PLAN VIEW
WHEELCHAIR ACCESSIBLE

**PICNIC TABLE - SERIES C1
SURFACE MOUNT (PC1S)**

SPECIFICATIONS

WOOD:

- 88.9 x 139.7 x 901.7mm
(1 1/2" x 5 1/2" x 35 1/2")

WOOD OPTIONS:

1. CEDAR- LIFETIME PRESERVATIVE OR SIKKENS STAIN.
2. PINE- ACQ PRESERVATIVE.

STEEL TYPE:

- 101.6 x 101.6mm (4"x4") SQUARE TUBE CENTRE SUPPORT
- 76.2 x 76.2mm (3"x3") SQUARE TUBE SEAT SUPPORTS
- 76.2 x 76.2mm (3"x3") ANGLE IRON WOOD SUPPORTS

FASTENERS:

- 9.5mm (3/8") PLATED CARRIAGE BOLTS. COLOR MATCHED TO STEEL FRAME.

STEEL FINISH:

- 3 STEP POWDER COAT PROCESS:

1. SURFACE PREPARATION- SANDBLAST METAL
2. PRIME COAT- APPLICATION OF ZINC RICH PRIMER
3. TOP COAT- FINAL COATING IS BAKED ON FOR THE BEST IN LONG LASTING DURABILITY

STEEL FRAME AVAILABLE IN A WIDE VARIETY OF COLORS. REFER TO COLOR CHART FOR MORE INFORMATION.



4111-17th Street SE Calgary, AB T2G 3W5
Ph# 569-8180 Fax# 272-4544
e-mail: reception.cpl@telus.net
www.custompark.com