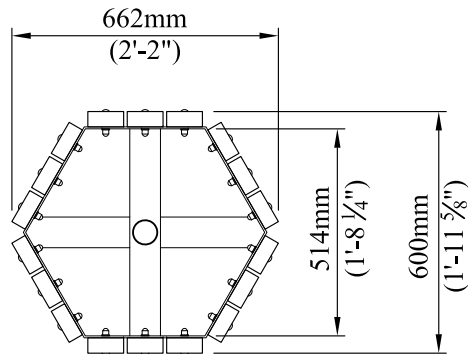


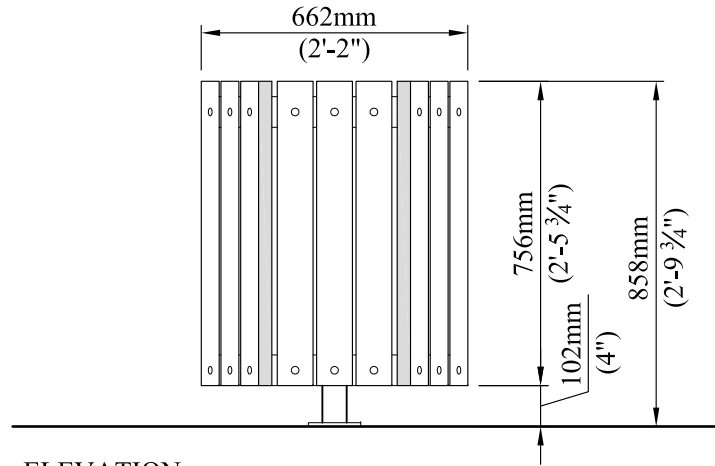
PLAN VIEW

SURFACE MOUNT (TBRs)

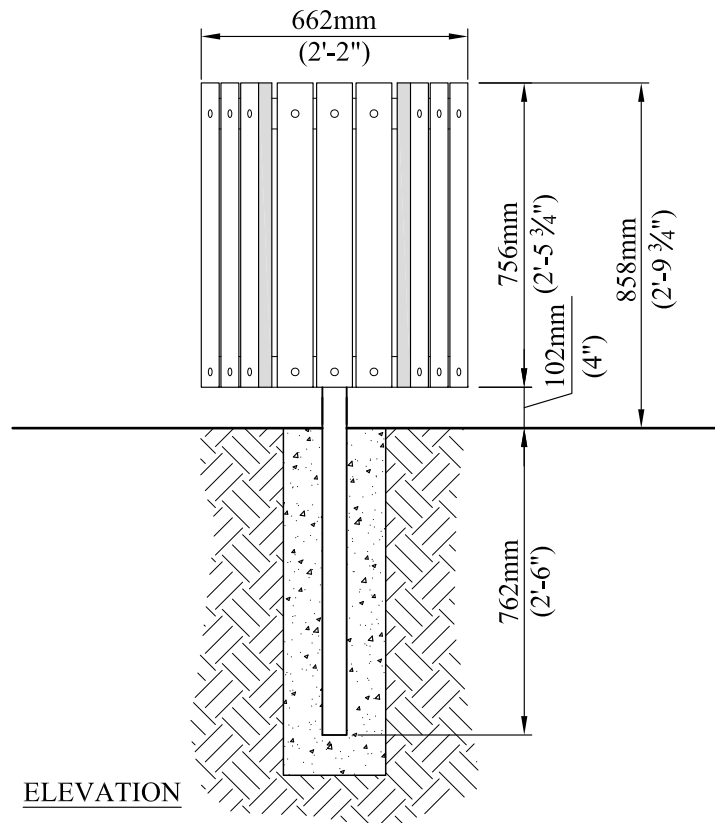


PLAN VIEW

IN GROUND (TBRG)



ELEVATION



ELEVATION

**TRASH RECEPTACLE -  
SERIES BR  
RECYCLED PLASTIC**

SPECIFICATIONS

WOOD:

- 38.1 x 88.9 x 756mm  
(1 1/2" x 3 1/2" x 29 3/4")

WOOD OPTIONS:

TREX- AVAILABLE IN 4 DIFFERENT  
COLORS.

STEEL TYPE:

- 76.2 x 4.8mm (3" x 3/16") FLAT  
BAR FRAME  
- 60.3mm (2 3/8") O.D. PIPE LEG  
SUPPORT  
- 75L GALVANIZED CAN

FASTENERS:

- 9.5mm (3/8") PLATED CARRIAGE  
BOLTS. COLOR MATCHED TO  
STEEL FRAME.

STEEL FINISH:

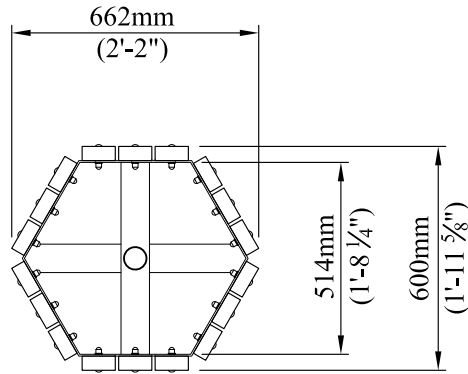
- 3 STEP POWDER COAT  
PROCESS:

1. SURFACE PREPARATION-  
SANDBLAST METAL
2. PRIME COAT- APPLICATION OF  
ZINC RICH PRIMER
3. TOP COAT- FINAL COATING IS  
BAKED ON FOR THE BEST IN LONG  
LASTING DURABILITY

STEEL FRAME AVAILABLE IN A  
WIDE VARIETY OF COLORS.  
REFER TO COLOR CHART FOR  
MORE INFORMATION.

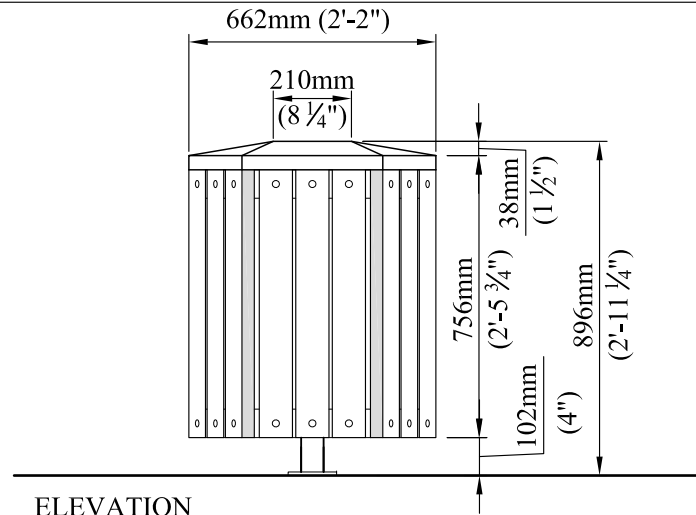


4111-17th Street SE Calgary, AB T2G 3W5  
Ph# 569-8180 Fax# 272-4544  
e-mail: reception.cpl@telus.net  
[www.custompark.com](http://www.custompark.com)

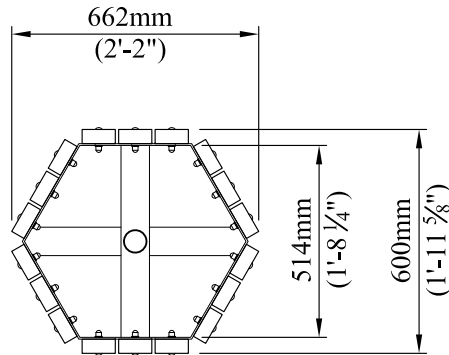


PLAN VIEW

SURFACE MOUNT (TBRSL)

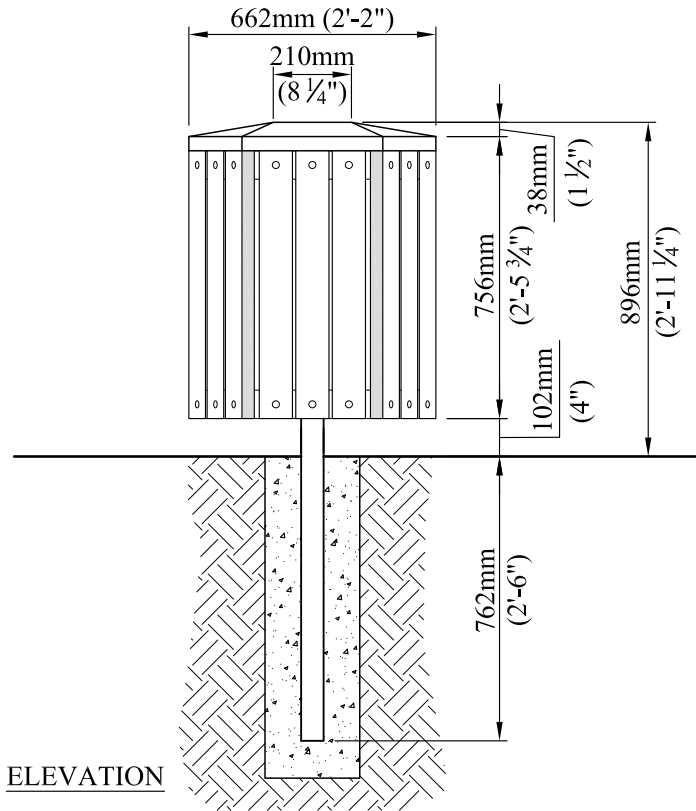


ELEVATION



PLAN VIEW

IN GROUND (TBRGL)



ELEVATION

**TRASH RECEPTACLE -  
SERIES BR RECYCLED  
PLASTIC w/ LID**

SPECIFICATIONS

WOOD:

- 38.1 x 88.9 x 756mm  
(1 1/2" x 3 1/2" x 29 3/4")

WOOD OPTIONS:

TREX- AVAILABLE IN 4 DIFFERENT  
COLORS.

STEEL TYPE:

- 76.2 x 4.8mm (3" x 3/16") FLAT  
BAR FRAME

- 60.3mm (2 3/8") O.D. PIPE LEG  
SUPPORT

- 75L GALVANIZED CAN

FASTENERS:

- 9.5mm (3/8") PLATED CARRIAGE  
BOLTS. COLOR MATCHED TO  
STEEL FRAME.

STEEL FINISH:

- 3 STEP POWDER COAT  
PROCESS:

1. SURFACE PREPARATION-  
SANDBLAST METAL
2. PRIME COAT- APPLICATION OF  
ZINC RICH PRIMER
3. TOP COAT- FINAL COATING IS  
BAKED ON FOR THE BEST IN LONG  
LASTING DURABILITY

STEEL FRAME AVAILABLE IN A  
WIDE VARIETY OF COLORS.  
REFER TO COLOR CHART FOR  
MORE INFORMATION.



4111-17th Street SE Calgary, AB T2G 3W5  
Ph# 569-8180 Fax# 272-4544  
e-mail: reception.cpl@telus.net  
[www.custompark.com](http://www.custompark.com)